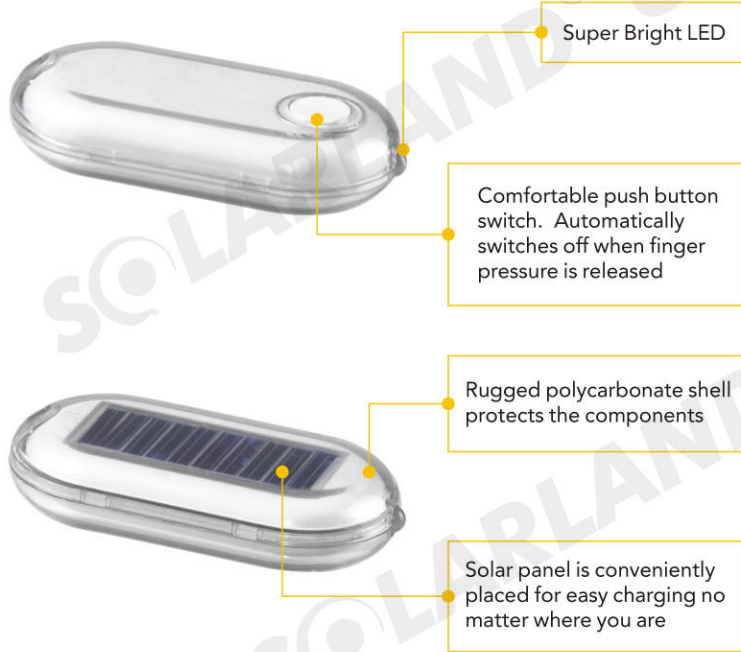


Solar Flashlight

Model: BSL-R0335P



Features

- Lightweight, compact design that easily fits in your pocket.
- Attaches to your key ring!
- Great gift for customers and friends!

Important – Battery Disposal

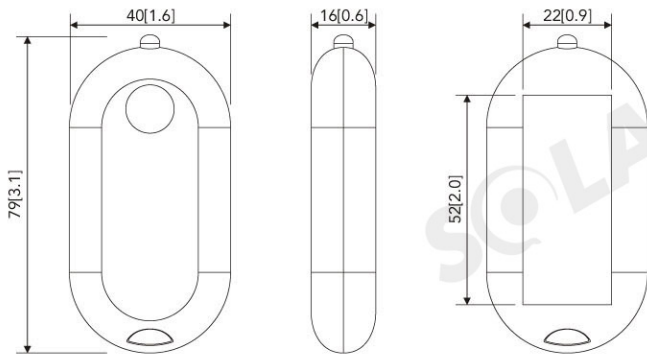
This product contains three rechargeable Ni-MH batteries. When the battery life is exhausted, the battery must be recycled or disposed of properly. For additional information regarding disposal, contact your local county solid waste authority.

Packing Information:

1 PC Per Blister Card:	95x115x20mm (3.7"x4.5"x0.8")
24 PC Per Carton:	255x210x135mm (10.0"x8.3"x5.3")
NW:	0.96kg (2.12lbs)
GW:	2.2kg (4.85lbs)
Pallet Loading:	6912 pcs
Container Loading:	41,472 pcs/20' 82,944 pcs/40'

Product Dimensions

Unit: mm[in]



Packaged for Point of Sale

