

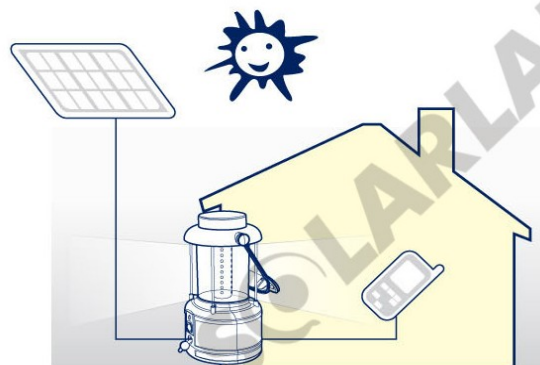
## Solar Powerpack 3.0



The life of Lithium battery is **2 times** of the Lead-Acid battery.



### Optional Accessories



**Model: BSS-00316**

### Kit Contents

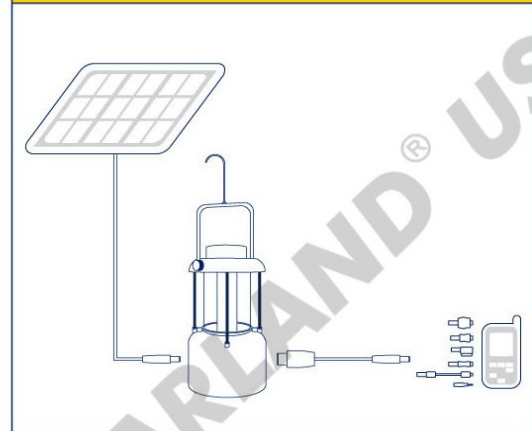


Solar Panel



Camping Lamp

### Connection Instruction



### Lamp Specifications

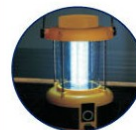


Lamp Rated Power: 1.2W/0.6W  
Luminous Flux Output: 45lm/25lm

### Working Time



**LOW Setting = 10 hrs**  
(Fully Charged 3.5 hrs)



**HIGH Setting = 5 hrs**  
(Fully Charged 3.5 hrs)

### Power Consumption



### Brightness



### Packing Information

1set/Colour Box: 205x170x335mm  
4sets/Carton: 430x360x355mm  
N.W: 6.84kgs  
G.W: 8.4kgs  
1900sets/20' 4080sets/40'