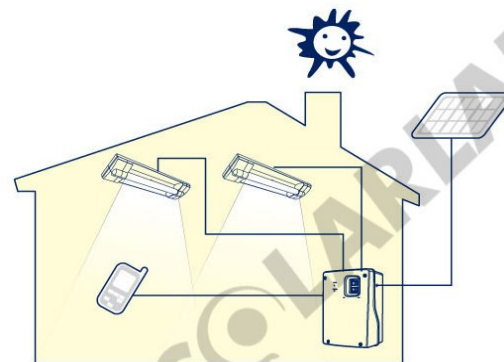


Solar Powerpack 5.0



The life of Lithium battery is **2 times** of the Lead-Acid battery.



Model: BSS-00504LH

Kit Contents



Solar Panel **x1**



LED TL Lamp **x2**



Solar Power Pack **x1**



Mobile Charge Wire **x1**



Phone Charger Adapters **x1**

Lamp Specifications



Lamp Rated Power: 1.5W
Luminous Flux Output: 140lm

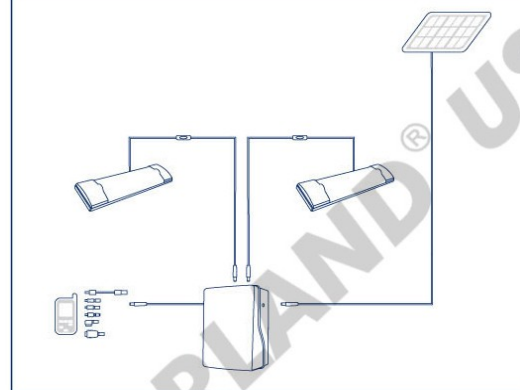
Power Consumption



Brightness



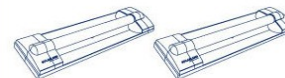
Connection Instruction



Working Time



= 8 hrs
(Fully Charged 4.5 hrs)



= 4 hrs
(Fully Charged 4.5 hrs)

Packing Information

1set/Carton: 450x160x210mm
N.W: 6.5kgs
G.W: 7.0kgs
1800sets/20' 3650sets/40'