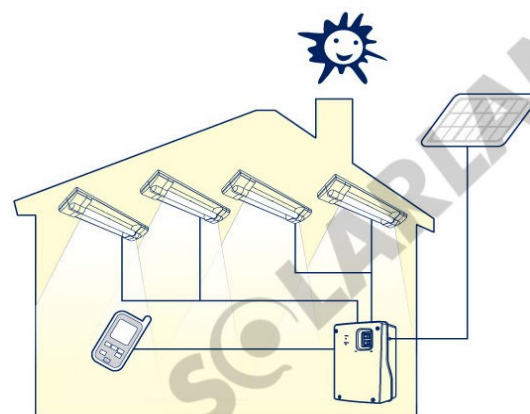


Solar Powerpack 10.0



The life of Lithium battery is **2 times** of the Lead-Acid battery.



Model: BSS-01004LH

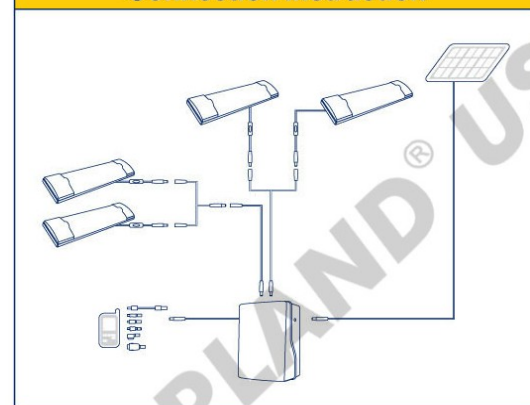
Kit Contents

 x1	 x4	 x1	 x2
 x1	 x1	 x1	

Solar Panel LED TL Lamp Solar Power Pack Splitter

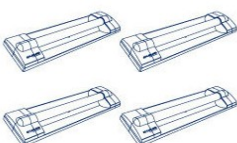
Connector Wire Mobile Charge Wire Phone Charger Adapters

Connection Instruction



Working Time

 = **8 hrs**
(Fully Charged 4.5 hrs)

 = **4 hrs**
(Fully Charged 4.5 hrs)

Lamp Specifications



Lamp Rated Power: 1.5W
Luminous Flux Output: 140lm

Power Consumption

5%  = 25%  = 100% 

Brightness

1.5W  = 7.5W  = 37.5W 

Packing Information

1set/Carton: 450x240x320mm
N.W: 6.5kgs
G.W: 7.0kgs
840sets/20' 1680sets/40'